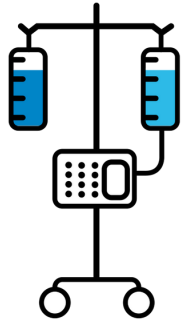




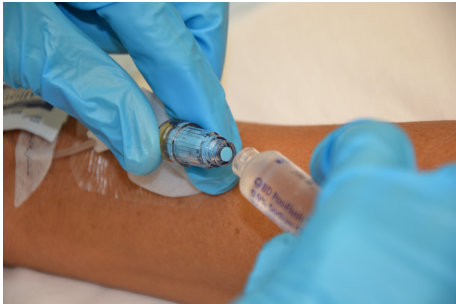
Thunder Bay Regional  
Health Sciences  
Centre



# QUICK TIPS

## IV PUMP CONTINGENCY PLAN

### SALINE LOCK



Convert IV lines that are to keep vein open (TKVO) to saline lock.

### SMALLEST VOLUME POSSIBLE



Choose the smallest volume for primary infusions. This will mean you must replace bags more often.

### KNOW WHEN TO USE BURETROL



Check High Alert Medication Requiring Buretrol for Transfusion list.

**\*Note: Check your IV bag every hour at minimum \***

Any questions please direct them to your  
CNS and/or Manager

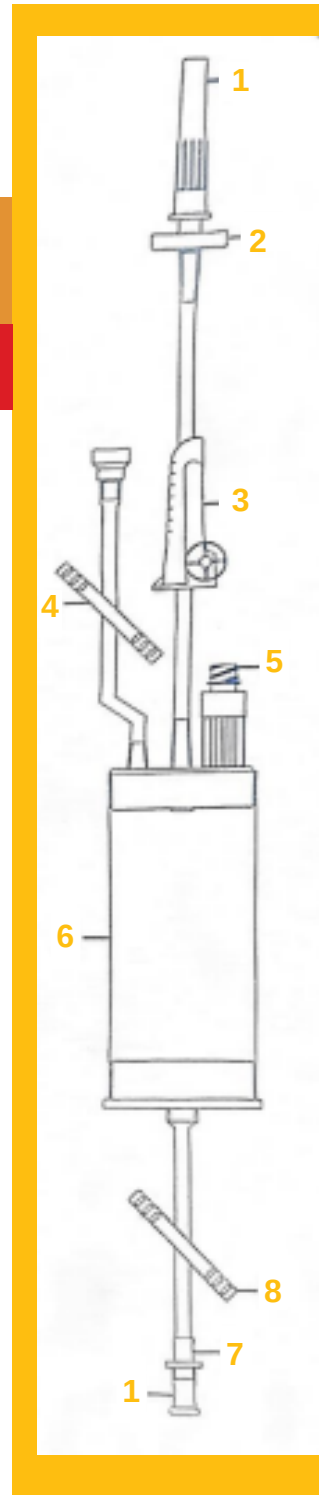


## BURETROL ADD-ON SET

### IV PUMP CONTINGENCY PLAN

#### USING ASEPTIC TECHNIQUE

1. Insert primary tubing spike into buretrol adapter (7)
2. Close roller clamp (3) and regulating clamp on administration set
3. Insert spike (2) into IV solution /medication ensuring airway side clamp (4) is open
4. Open roller clamp (3) and fill the burette chamber with at 35mL  
**DO NOT SQUEEZE** the burette chamber (6)
5. Close roller clamp (3)
6. Squeeze the drip chamber and open the regulating clamp on the administration set to prime the tubing
7. Open roller clamp (3) and fill the burette chamber to desired level (i.e., volume to be infused over 1-2 hours)
8. Close roller clamp (3)
9. Program pump
10. Hit start
11. Refill burette chamber every 1-2 hours



Any questions please direct them to your  
CNS and/or Manager